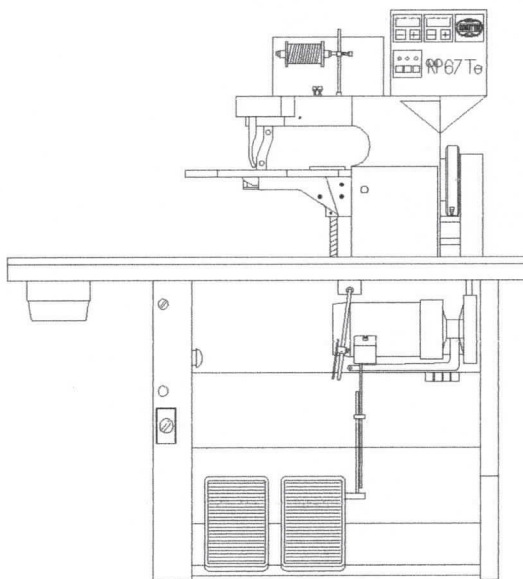




RP 67TE μ P



OFFICINA MECCANICA SAGITTA S.p.A.

Via Farini, 43 - 27029 VIGEVANO - ITALY

Tel. +39 0381 75701 / 2 Fax +39 0381 82771

Web: <http://www.sagitta.it>

@mail: info@sagitta.it



RP 67TE μ P

CATALOGO RICAMBI

SPARE PARTS CATALOGUE – CATALOGUE DES PIECES DATACHEES –
ERSATZTEILE KATALOG – CATÁLOGO PEÇAS DE SUBSTITUIÇÃO

CATALOGO n° 7056

MATRICOLA n° 6740142

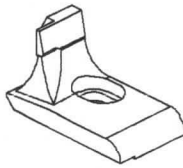
SAGITTA

OFFICINA MECCANICA S.p.A. – Via Farini, 43 – 27029 VIGEVANO – (ITALY)
Tel. +39 0381 75701 / 2 Fax +39 0381 82771
Web: <http://www.sagitta.it> E-mail: info@sagitta.it

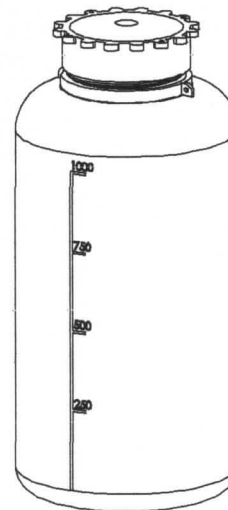


Accessori e ricambi in dotazione
 Outillage et pieces de rechange du necessaire
 Spare parts attachments
 Zubehore und ersatzteile

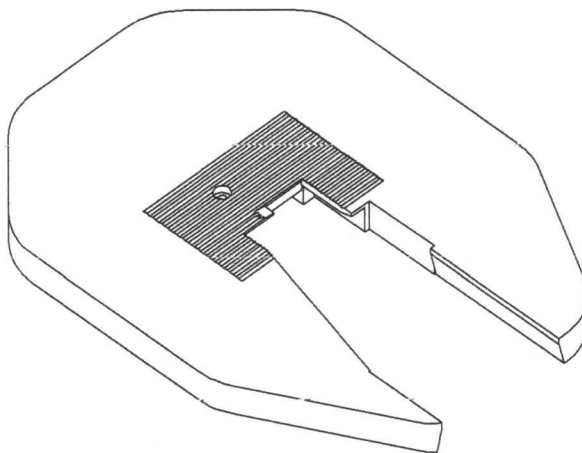
- 4.1359.00 -



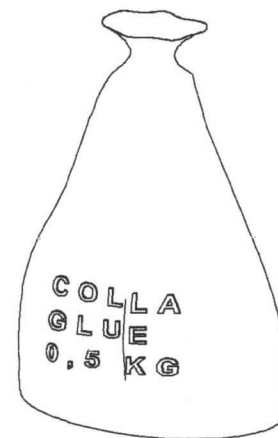
Guida - Guide	Cod.
3,2 mm	5.4117.00
5 mm	5.4952.00



Olio - Oil
 cod.6.4103.09



Piano di lavoro - Worktop
 Cod. 6.4242.00



Colla - Glue
 Cod. 6.4105.01

Foglio 02

Tav. 84942

Rp 67TEμP

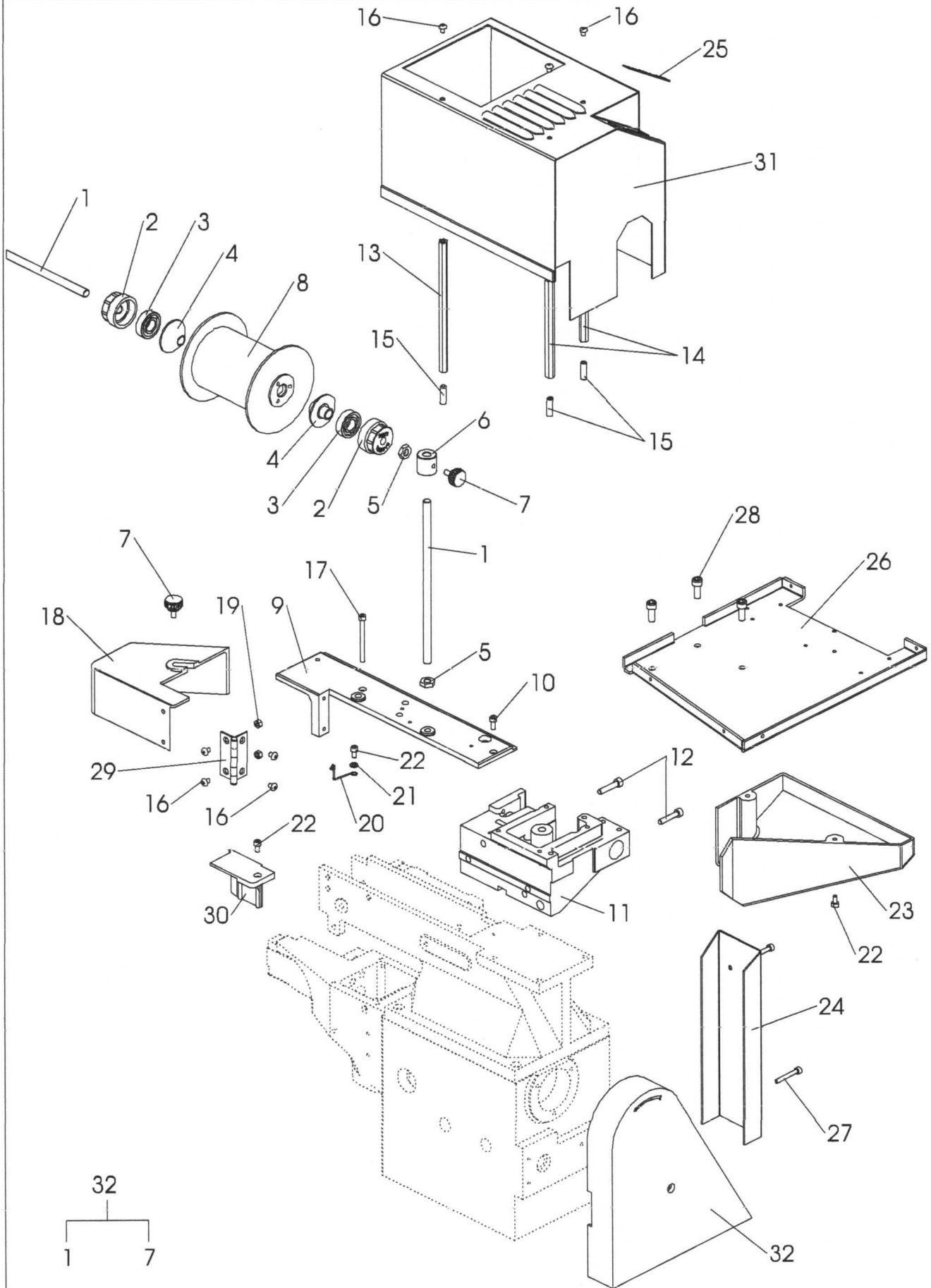
Pos.	Codice	Q.tà	Note
1	5.7344.10	2	
2	5.7334.00	2	
3	6.0525.75	2	
4	5.7335.00	2	
5	6.5050.65	2	M8
6	5.6688.00	1	
7	6.4491.02	2	
8	6.4205.00	1	
9	5.6696.02	1	
10	6.6200.23	1	Bc410
11	9.0714.00	1	
12	6.6200.48	2	Bc525
13	5.6394.01	1	
14	5.6393.01	2	
15	6.6100.44	3	Gp620
16	6.6260.09	7	Bb48
17	6.6200.34	1	Bc450
18	5.6754.00	1	
19	6.5050.02	2	D4
20	5.4722.00	1	
21	6.6160.02	1	Rb4
22	6.6200.22	4	Bc48
23	5.6753.00	1	
24	5.6810.00	1	
25	6.4998.05	1	
26	9.0351.00	1	
27	6.6200.30	2	Bc430
28	6.6200.63	3	Bc615
29	6.3527.00	1	
30	6.0109.00	1	
31	6.0130.54	1	
32	6.0106.00	1	Frizione
32	5.6691.00	1	Stop
33	4.0103.01	1	



Rp 67TEμP

Foglio 03

Tav. 84943



F. 4

RP 67 TEuP



Tav. 85328

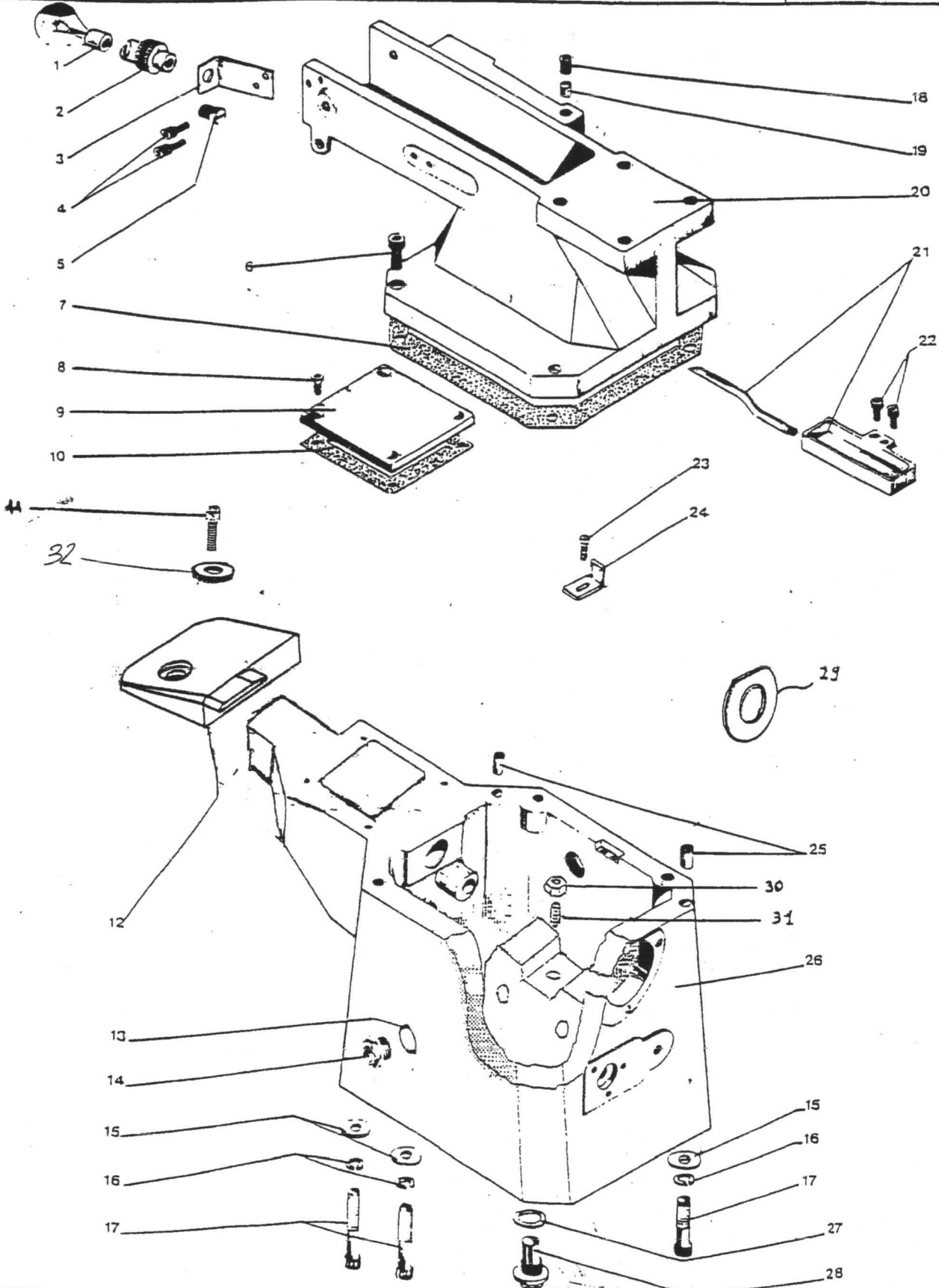
POS.	CODICE	NOTE	POS.	CODICE	NOTE
1	6.1874.00		32	6.6160.02	RB4
2	5.5119.00				
3	5.6756.00				
4	6.6200.22	BC48			
5	5.2271.00				
6	6.6200.65	BC620			
7	5.8437.00				
8	6.6205.19	BS410			
9	6.4246.00				
10	5.4097.00				
11	6.6200.25	BC415			
12	6.0130.23				
13	6.4356.50				
14	6.4377.03				
15	6.6160.83	RB624			
16	6.6160.23	RG6			
17	6.6200.72	BC650			
18	6.6100.40	GP610			
19	5.2143.00				
20	5.4119.03				
21	4.0084.10				
22	6.6200.22	BC48			
23	5.4118.00				
24	5.4117.00	3.2mm			
24	5.4951.00	4mm			
24	5.4952.00	5mm			
24	5.4953.00	6mm			
24	5.2274.00	7mm			
25	6.4876.00				
26	9.0438.01				
27	6.4355.50				
28	6.4377.10				
29	5.8826.00				
30	6.5050.04				
31	6.6105.46	GC625			



RP 67 TEUP

F. 5

Tav. 85329.



F. 6

RP 67 TEUP



Tav. 84946

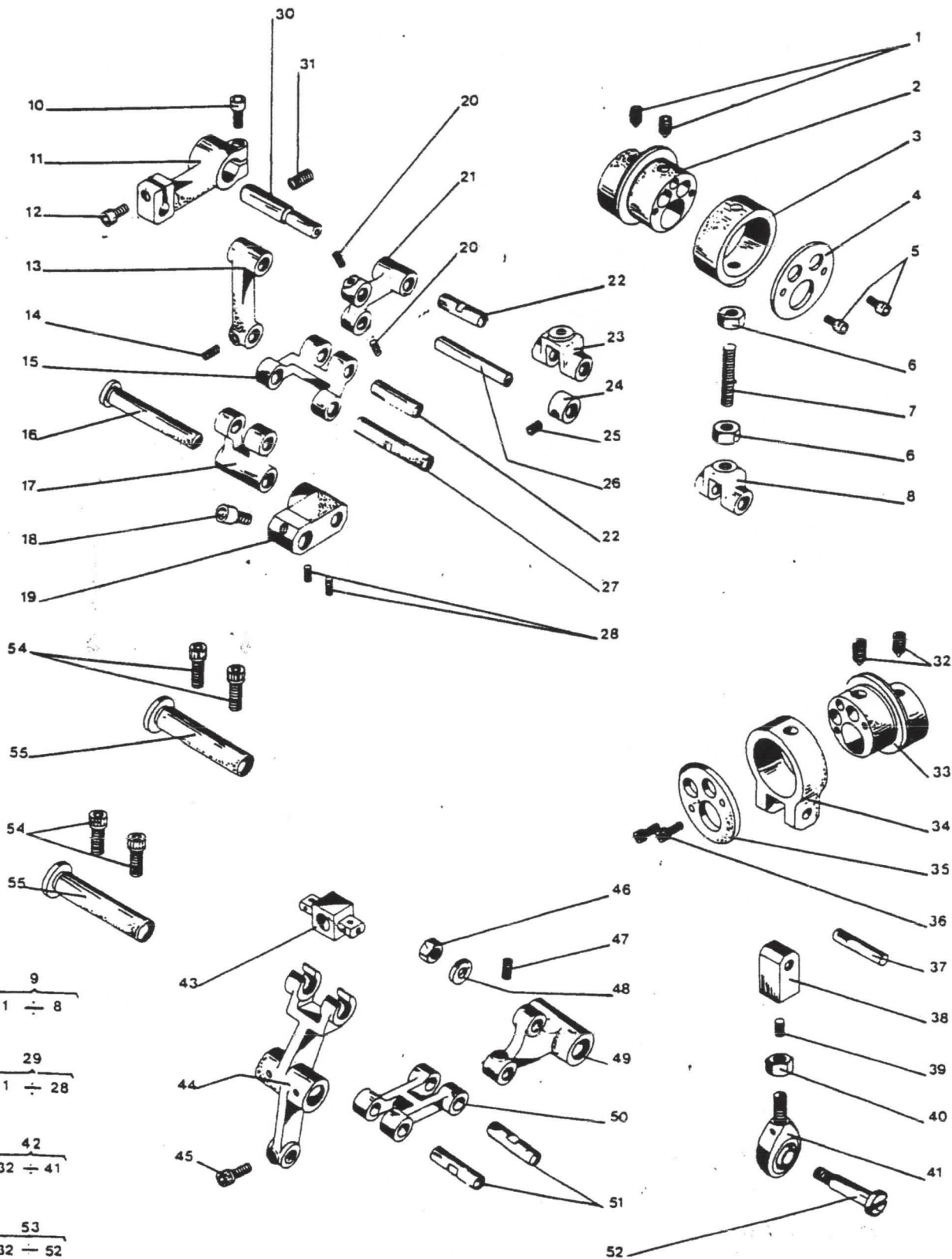
POS.	CODICE	NOTE	POS.	CODICE	NOTE
1	6.6105.39	GC68	33	5.4057.00	
2	5.4068.00		34	5.4055.00	
3	5.4067.00		35	5.4058.00	
4	5.4069.00		36	6.6200.03	BC36
5	6.6200.03	BC36	37	5.4056.00	
6	6.5050.33	C6	38	5.4054.00	
7	5.5280.00		39	6.6100.23	GP55
8	5.4066.00		40	5.4053.00	BS410
9	4.0074.00		41	5.4052.00	
10	6.6200.44	BC515	42	4.0073.00	
11	5.4059.00		43	5.4045.00	
12	6.6200.43	BC515	44	5.4046.00	
13	5.4061.00		45	6.6200.22	BC48
14	6.6100.24	GP56	46	6.5050.63	M6
15	5.4063.00		47	6.6100.12	GP46
16	5.4071.00		48	6.6160.04	RB6
17	5.4070.00	BC650	49	5.4050.00	
18	6.6200.61	BC610	50	5.4049.00	
19	5.4072.00		51	5.4048.00	
20	6.6100.12	GP46	52	5.4051.10	
21	5.4064.00		53	3.0145.00	
22	5.4048.00		54	6.6200.62	BC612
23	5.5135.00		55	5.4047.00	
24	5.5199.00				
25	6.6100.38	GP66			
26	5.5191.00				
27	5.4062.00				
28	6.6105.24	GC56			
29	3.0488.00				
30	5.4065.01				
31	6.6100.40	GP610			
32	6.6105.39	GC68			



RP 67 TEUP

F. 7,

Tav. 84947



F. 8

RP 67 TEUP



Tav. 86007

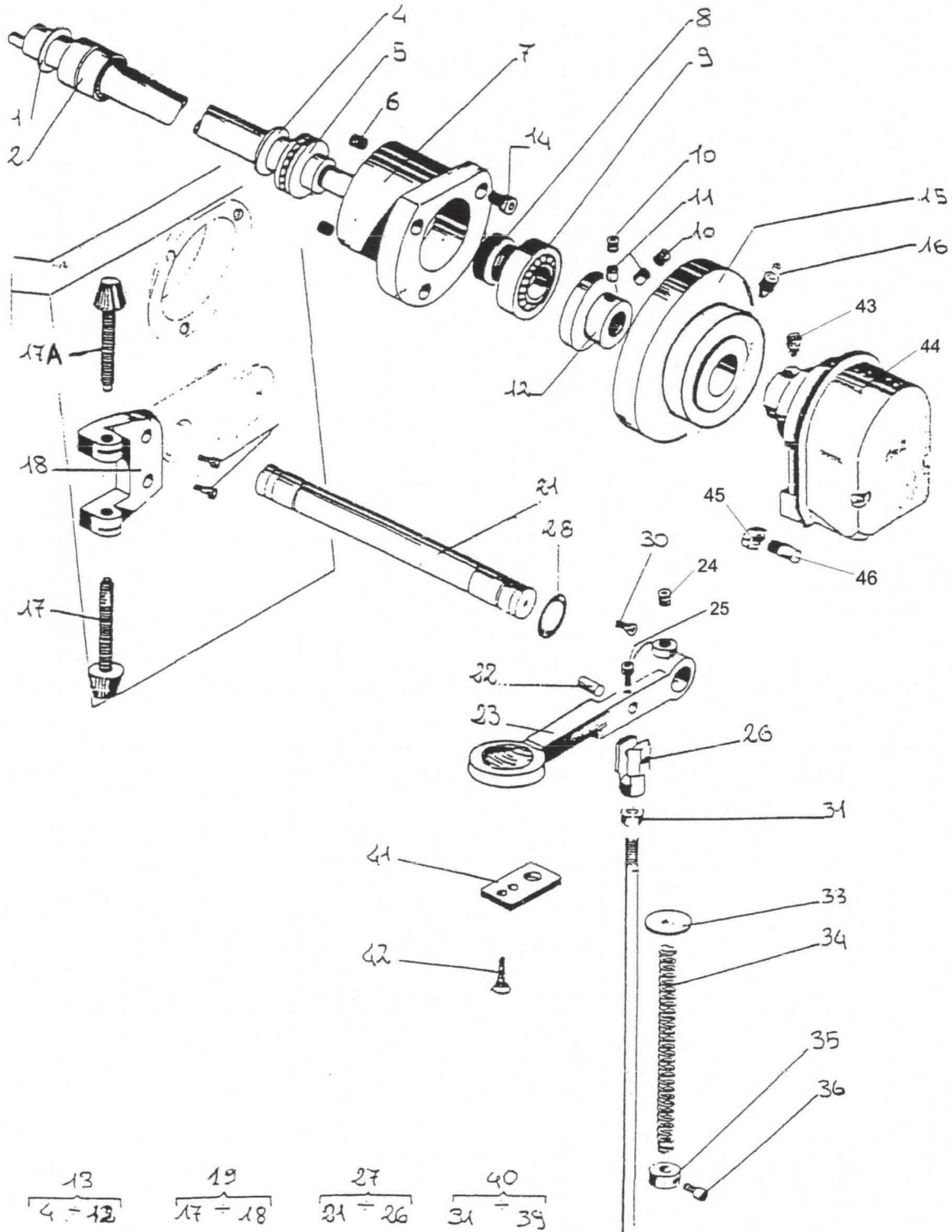
POS.	CODICE	NOTE	POS.	CODICE	NOTE
1	6.0601.01		33	6.6160.83	RB624
2	6.0525.14		34	6.3749.00	
3			35	5.4019.00	
4	5.4098.10		36	6.6200.21	BC46
5	6.0525.15		37	5.4019.00	
6	6.6100.13	GP48	38	6.6200.21	BC46
7	5.4102.00		39	5.4014.00	
8	6.0001.08		40	4.0101.00	
9	6.0525.10		41	5.8570.00	
10	6.6100.38	GP66	42	6.6253.65	VLS525
11	5.2143.00		43	6.6105.40	
12	5.3019.10		44	6.4099.24	
13	4.0075.00		45	6.5050.62	
14	6.6200.42	BC510	46	6.6100.35	GP540
15	5.3021.00	Frizione			
15	5.5212.00	Stop			
16	6.6105.58	GC815			
17	5.6773.00				
17A	5.6773.01				
18	5.4077.10				
19	4.0041.10				
20	6.6200.23	BC410			
21	5.4073.10				
22	5.3162.00				
23	5.4076.10				
24	6.6100.39	GP88			
25	6.6200.03	BC36			
26	5.0030.00				
27	4.0046.10				
28	6.0001.23				
30	6.6205.19	BS410			
31	6.5050.33	C6			
32	6.4018.00				



RP 67 TEUP

F. 9

Tav. 86008



F. 10

KP 67 TEUP



Tav. 85355

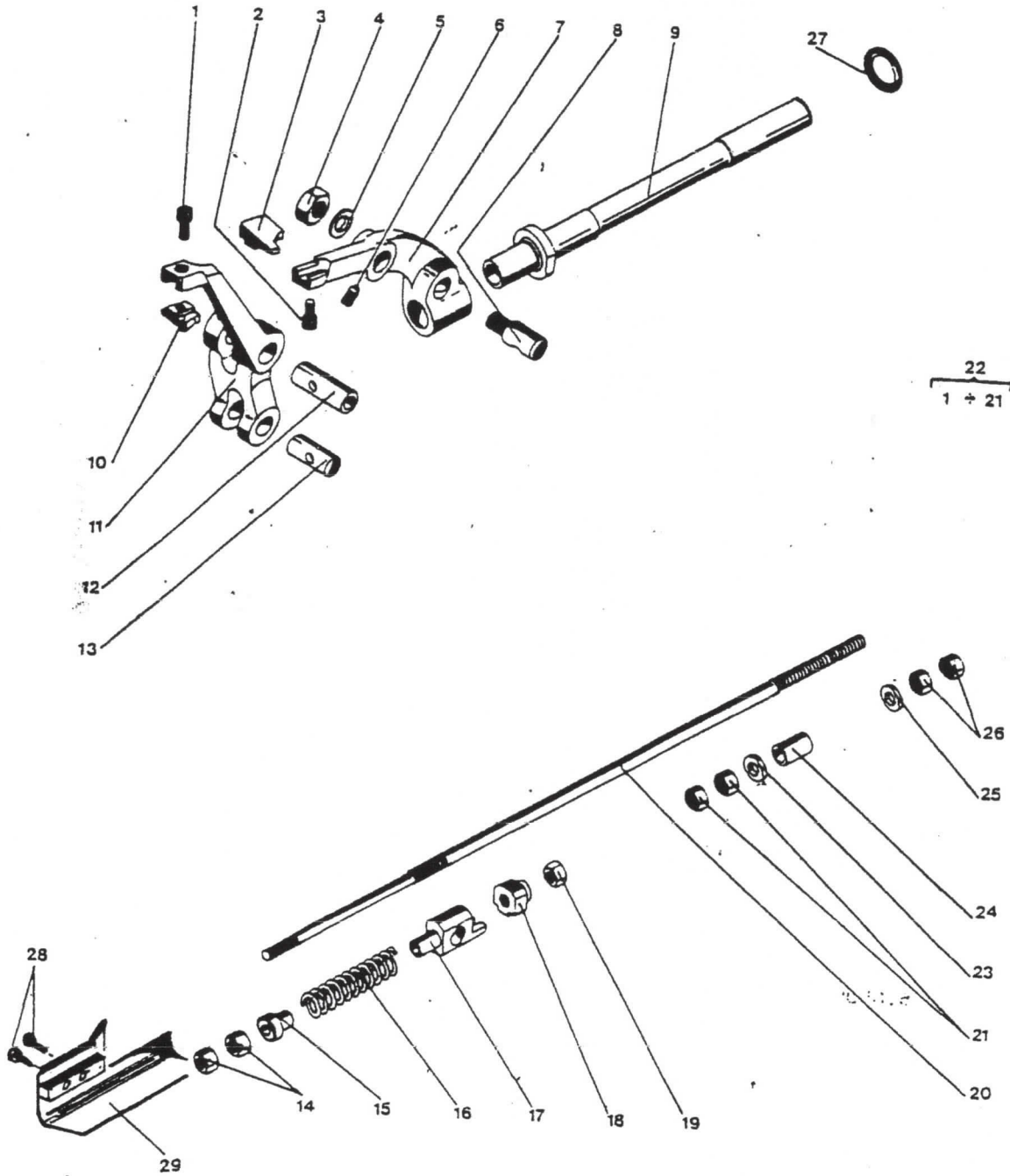
POS.	CODICE	NOTE	POS.	CODICE	NOTE
1	6.6200.03	BC36			
2	6.6200.03	BC36			
3	5.4024.00				
4	6.5050.65	M8			
5	6.6160.06	RB8			
6	6.6105.24	GC56			
7	5.4025.10				
8	5.4026.00				
9	4.0396.00				
10	5.4021.00				
11	5.4022.00				
12	5.4023.00				
13	5.4034.01				
14	6.5050.32	C5			
15	5.4029.00				
16	6.3750.00				
17	5.7360.00				
18	5.4032.00				
19	5.4033.00				
20	5.4028.00				
21	6.5050.33	C6			
22	3.0147.00				
23	5.4042.00				
24	5.4041.00				
25	5.4042.00				
26	6.5050.33	C6			
27	6.0004.04				
28	6.6200.04	BC38			
29	9.0496.00				



RP 67 TEUP

F. 11

Tav. 85356



F. 12

RP 67 TEUP



Tav. 85357

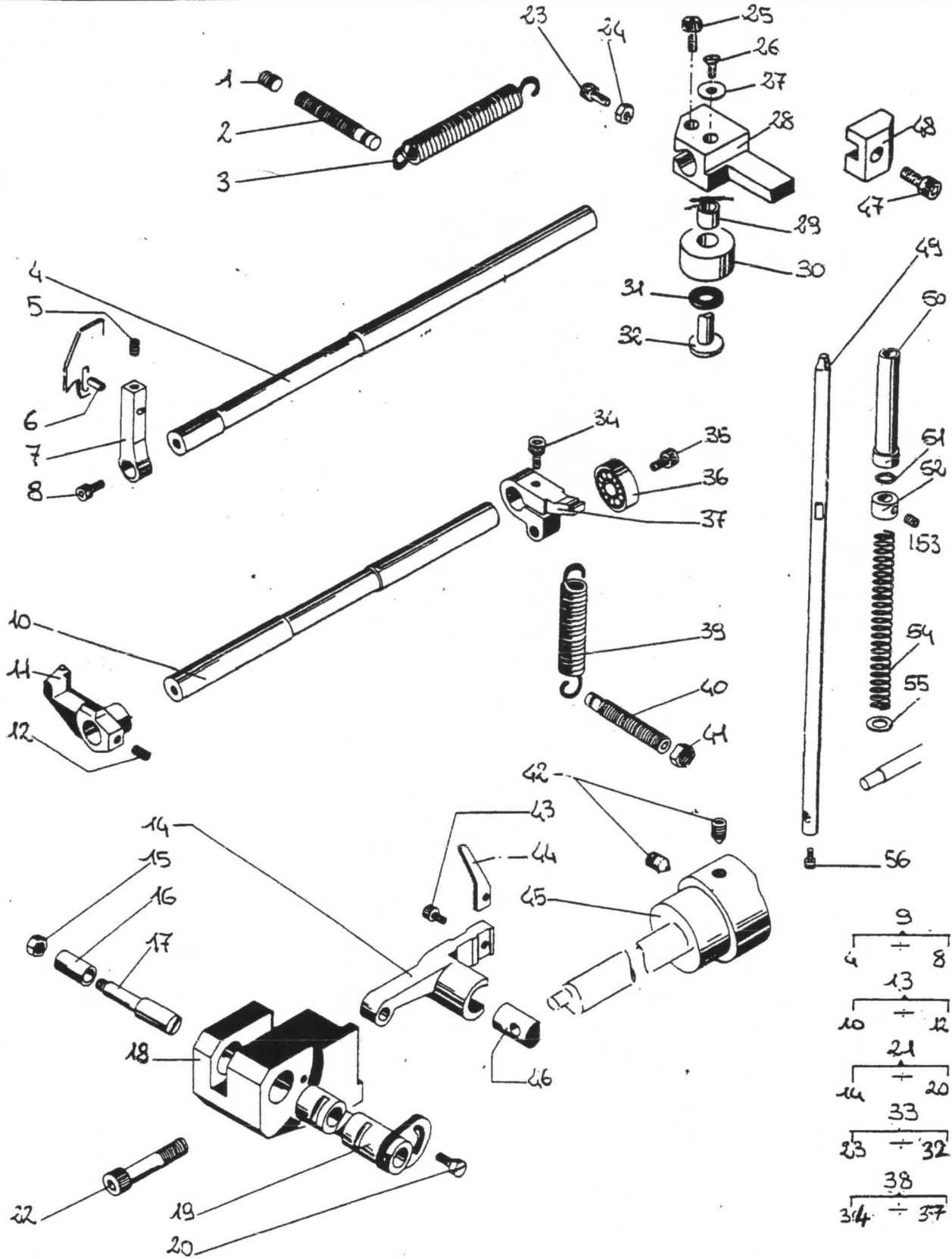
POS.	CODICE	NOTE	POS.	CODICE	NOTE
1	6.6100.23	GP55	33	4.0087.10	
2	5.4082.00		34	6.6200.24	
3	6.3767.00		35	6.6200.24	
4	5.4085.00		36	6.0525.11	
5	6.6100.00	GP34	37	5.4080.00	
6	6.4870.56		38	4.0088.00	
7	5.4083.00		39	6.3751.00	
8	6.6200.04	BC38	40	5.4082.00	
9	4.0097.00		41	6.5050.32	C5
10	5.4079.00		42	6.6105.40	GC610
11	5.4078.00		43	6.6200.03	BC36
12	6.6105.02	GC35	44	5.4536.00	
13	4.0098.00		45	5.4095.00	
14	5.4111.00		46	5.4112.00	
15	6.5050.32	C5	47	6.6200.24	BC412
16	5.4109.00		48	5.4089.01	
17	5.4108.00		49	5.4092.01	
18	9.0495.00		50	5.4090.00	
19	5.4107.01		51	6.0002.04	
20	6.6241.42	TC410	52	5.4094.00	
21	4.1398.00		53	6.6100.38	GP66
22	6.6200.89	BC835	54	6.3752.00	
23	5.3735.00		55	6.6160.06	RB8
24	6.5050.01	D3	56	6.6200.21	BC46
25	6.6200.22	BC48			
26	6.6205.03	BS36			
27	5.6509.00				
28	5.4087.01				
29	5.7198.00				
30	5.7199.00				
31	6.3768.00				
32	5.7197.00				



RP 67 TEUP

F. 13

Tav. 85358



F. 14

RP 67 TEUP



Tav. 85330

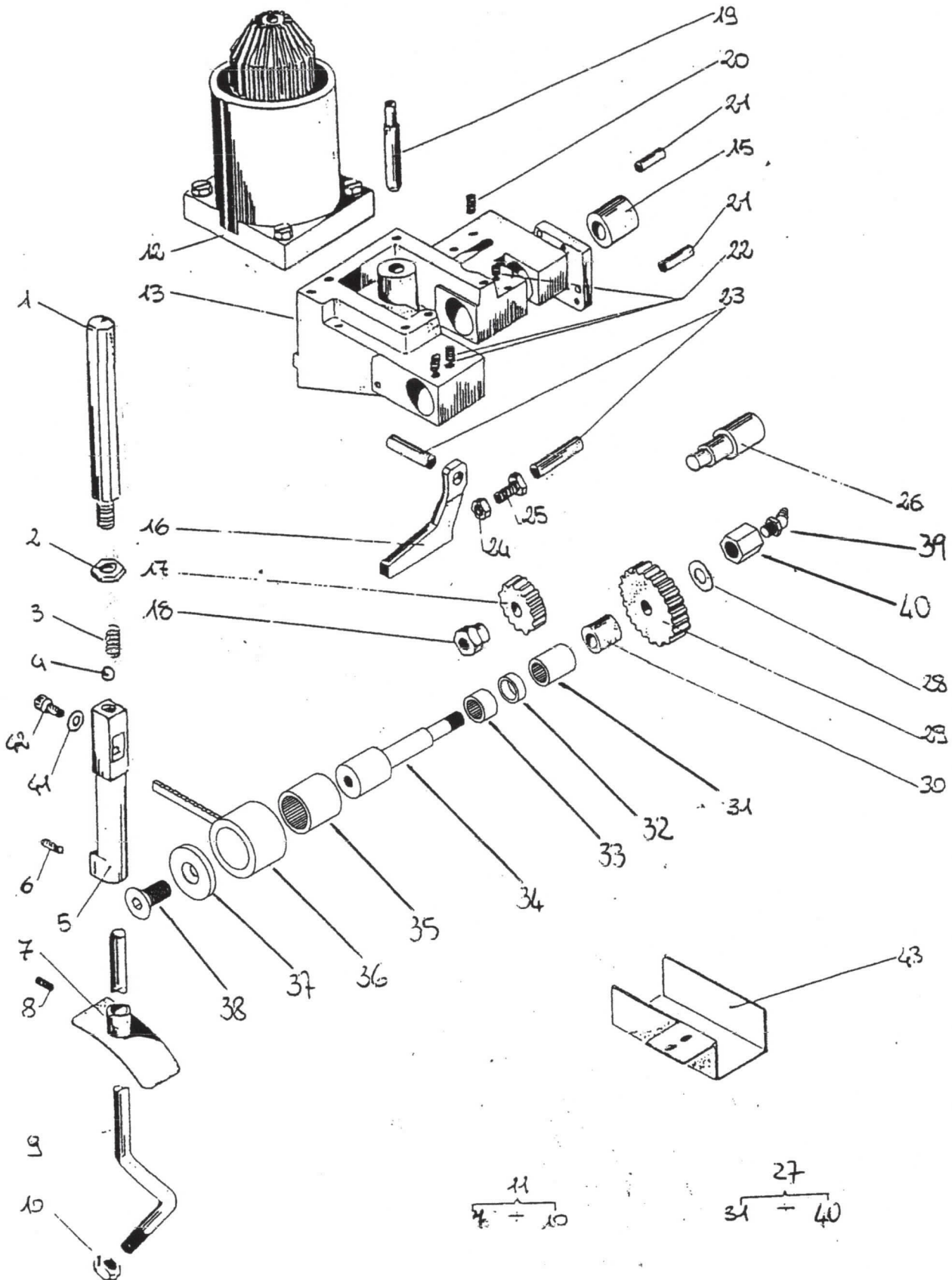
POS.	CODICE	NOTE	POS.	CODICE	NOTE
1	5.6672.01		33	6.0526.40	
2	6.5050.06	M8	34	9.0711.00	
3	6.3736.00		35	6.0526.41	
4	6.4860.04		36	9.0710.00	
5	5.7027.00		37	9.0707.00	
6	6.6100.24	GP56	38	6.6205.67	BS812
7	4.0168.10		39	6.4380.00	
8	6.6105.02	GC35	40	9.0709.00	
9	5.5190.01		41	6.6160.01	RB3
10	6.5050.32	C5	42	6.6200.02	BC35
11	3.0840.01		43	5.6900.00	
12	6.1703.00				
13	9.0714.00				
14					
15	6.0150.00				
16	5.7039.00				
17	5.3853.00				
18	6.5050.67	M10			
19	5.2250.00				
20	6.6100.11	GP45			
21	6.4874.20				
22	6.6100.11	GP45			
23	6.4682.00				
24	6.5050.61	M4			
25	5.2259.00				
26	5.6576.10				
27	4.1438.00				
28	6.6160.07				
29	5.3852.01				
30	5.6171.00				
31	6.0526.42				
32	9.0708.00				



RP 67 TEUP

F. 15

Tav. 85331



F. 16

RP 67 TEUP



Tav. 84956

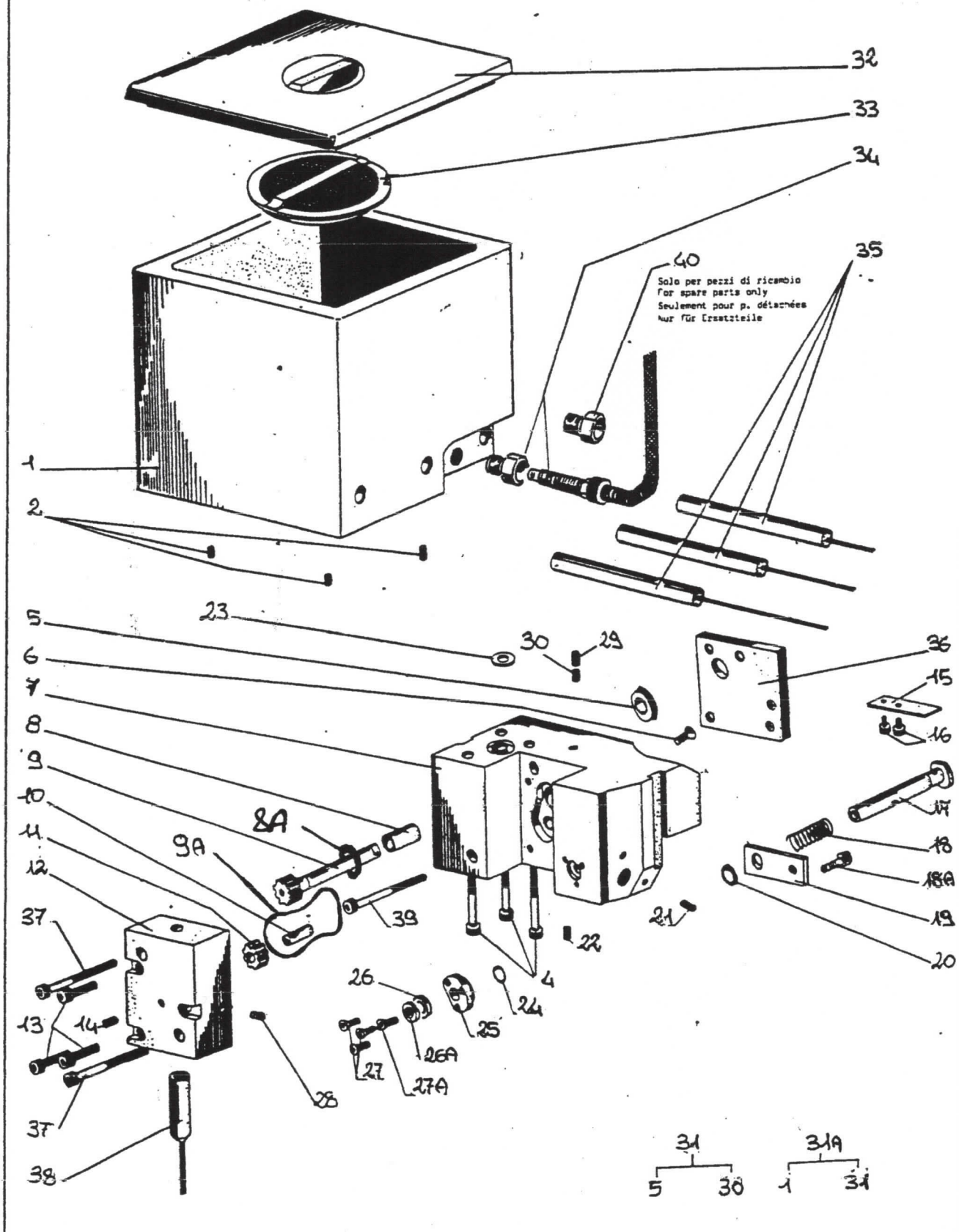
POS.	CODICE	NOTE	POS.	CODICE	NOTE
1	5.6710.00		30	6.6100.13	GP48
2	6.6100.26	GP510	31	4.1319.00	
4	6.6260.04	BC550	31A	3.0952.00	
5	6.0002.29		32	6.4240.00	
6	6.6205.18	BS48	33	6.3529.00	
7	5.6709.10		34	6.1990.00	
8	5.6659.00		35	6.2072.00	
8A	6.0002.01		36	6.1261.00	
9	5.3382.20		37	6.6200.32	BC420
9A	6.0002.61	OR2100	38	6.1937.00	
10	5.3380.00		39	6.6200.34	BC450
11	5.3381.00		40	6.1820.00	
12	9.0362.00				
13	6.6260.05	BC425			
14	6.6100.13	GP48			
15	5.6711.00				
16	6.6200.04	BC38			
17	5.6553.00				
18	6.3740.00				
18A	6.6200.24	BC412			
19	5.6985.00				
20	6.0004.01				
21	6.6100.13	GP48			
22	6.6100.13	GP48			
23	6.0002.28				
24	6.0004.01				
25	5.6552.10				
26	6.6160.81	RB412			
26A	6.6160.01	RB3			
27	6.6205.04	BS38			
27A	6.6200.03	BC36			
28	6.6100.02	GP35			
29	6.6100.13	GP48			



RP 67 TEUP

F. 17

Tav. 84957



F. 18

RP 67 TEUP



Tav. 84958

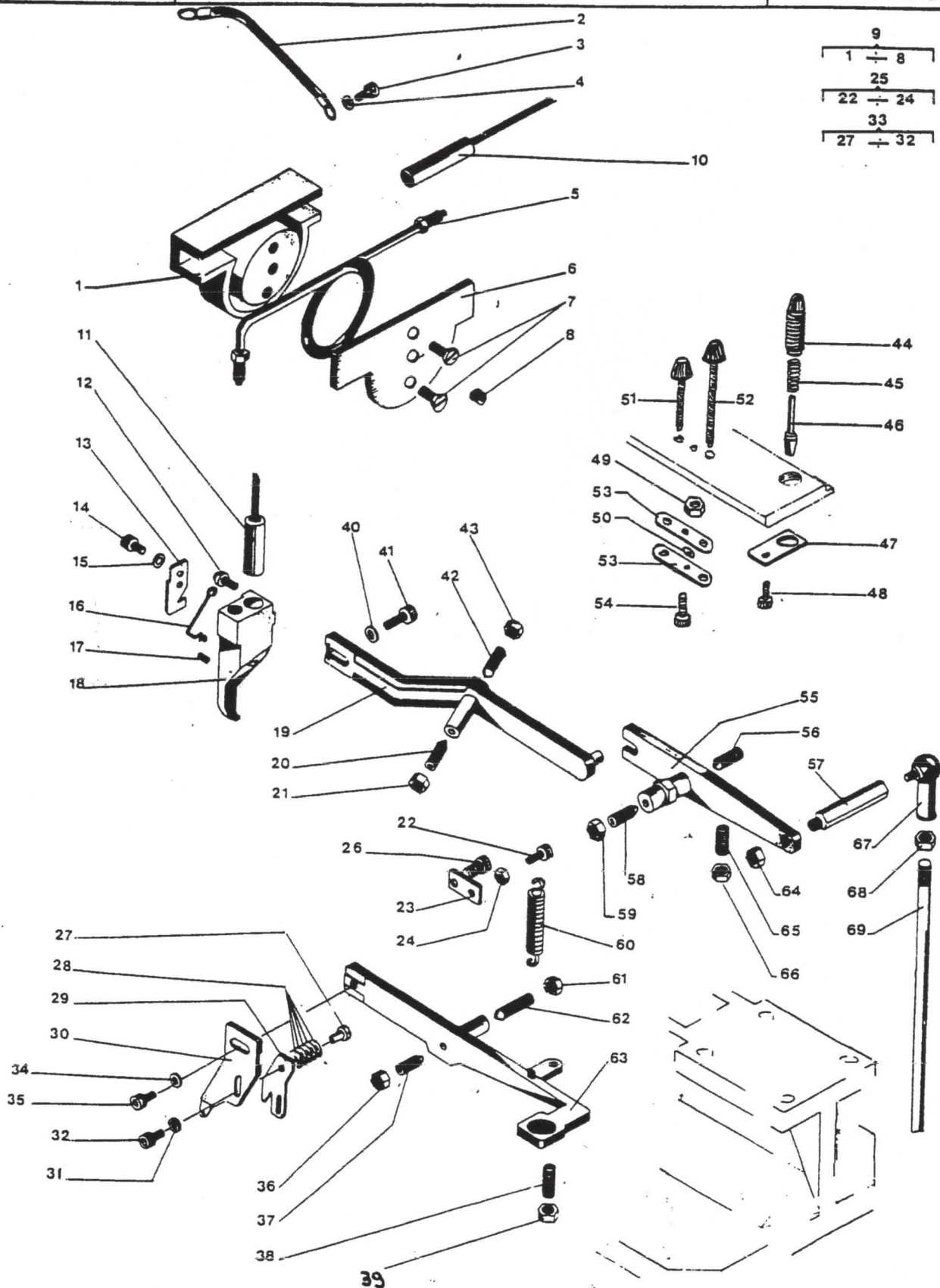
POS.	CODICE	NOTE	POS.	CODICE	NOTE
1	5.6760.00		36	6.5050.63	M6
2	6.1575.00		37	6.6105.44	GP620
3	6.6200.20	BC45	38	6.6100.33	GP530
4	6.6160.02	RB4	39	6.5050.32	C5
5	4.0017.00		40	6.6160.03	RB5
6	5.6761.00		41	6.6200.44	BC515
7	6.6241.57	TC510	42	6.6105.46	
8	6.6100.27	GP512	43	6.5050.63	M6
9	3.0005.11		44	5.6541.10	
10	6.1936.00		45	6.3818.00	
11	6.1936.00		46	5.6670.00	
12	5.4236.00		47	5.6862.00	
13	5.4125.10		48	6.6200.22	BC48
14	6.6200.03	BC36	49	6.5050.31	C4
15	6.6160.01	RB3	50	6.6198.00	
16	5.4722.00		51	5.6773.00	
17	6.6100.11	GP45	52	5.6775.00	
18	5.6498.00		53	5.6861.00	
19	5.4139.10		54	6.6200.25	BC415
20	6.6105.46	GC625	55	4.0006.00	
21	6.5050.63	M6	56	6.6105.46	
22	6.6200.04	BC38	57	5.6550.00	
23	5.4145.00		58	6.6105.46	
24	6.5050.01	D3	59	6.5050.63	M6
25	4.0144.00		60	6.3754.00	
26	6.6200.22	BC48	61	6.5050.63	M6
27	5.2238.00		62	6.6105.46	
28	6.3768.00		63	5.4143.00	
29	5.4147.00		64	6.5050.33	C6
30	5.4146.00		65	6.6100.44	GP620
31	6.6160.01	RB4	66	6.5050.33	C6
32	6.6200.04	BC38	67	6.4903.01	
33	4.0086.00		68	6.5050.63	M6
34	6.6160.02	RB4	69	5.6616.00	
35	6.6200.23	BC410			



RP 67 TEUP

F. 19

Tav. 84959



Foglio 20

Tav. 86792

RP 67TE μ P

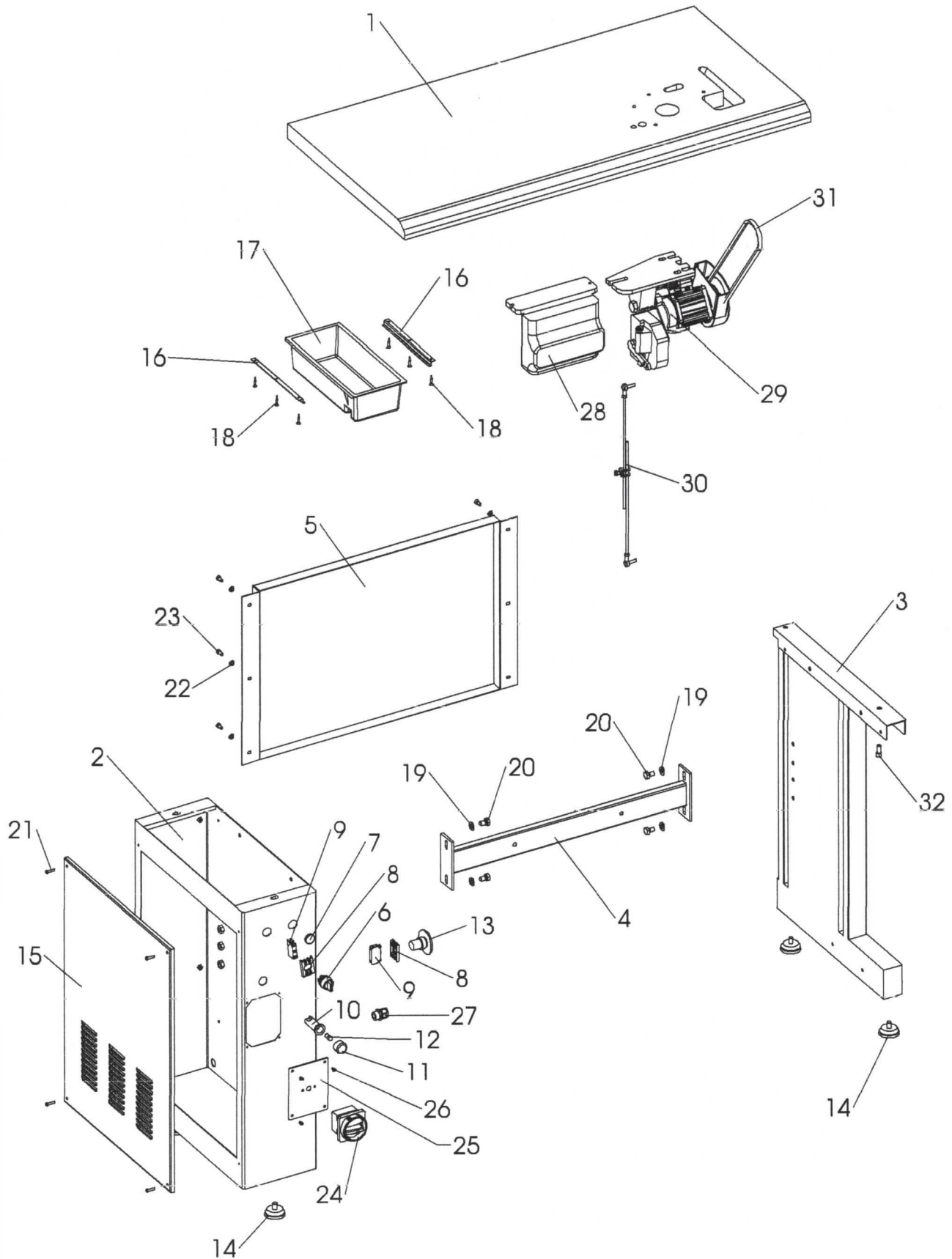
Pos.	Codice	Q.tà	Note
1	6.0130.56	1	
2	5.9589.02	1	
3	5.8354.00	1	
4	9.0468.00	1	
5	9.0472.00	1	
6	6.2035.48	1	
7	6.3540.01	1	
8	6.2035.42	2	
9	6.2035.43	2	
10	6.2131.08	1	
11	6.2131.06	1	
12	6.2041.00	1	
13	6.2035.41	1	
14	6.4959.00	4	
15	5.9593.00	1	
16	6.3500.00	2	
17	6.4201.00	1	
18	6.6255.25	6	
19	6.6160.07	4	Rb10
20	6.6218.81	4	TE 1015
21	6.6260.13	4	Bb420
22	6.6160.04	6	Rb6
23	6.6200.62	6	BC612
24	6.1859.02	1	
25	6.7003.83	1	
26	6.6200.21	4	Bc46
27	6.1609.00	1	
28	6.4099.23	1	
29	6.4099.23	1	
30	6.4099.23	1	
31	6.0500.32	1	
32	6.6200.85	2	BC820



RP 67TEμP

Foglio 21

Tav. 86793



Foglio 20A

Tav. 86806

Rp 67TEμP



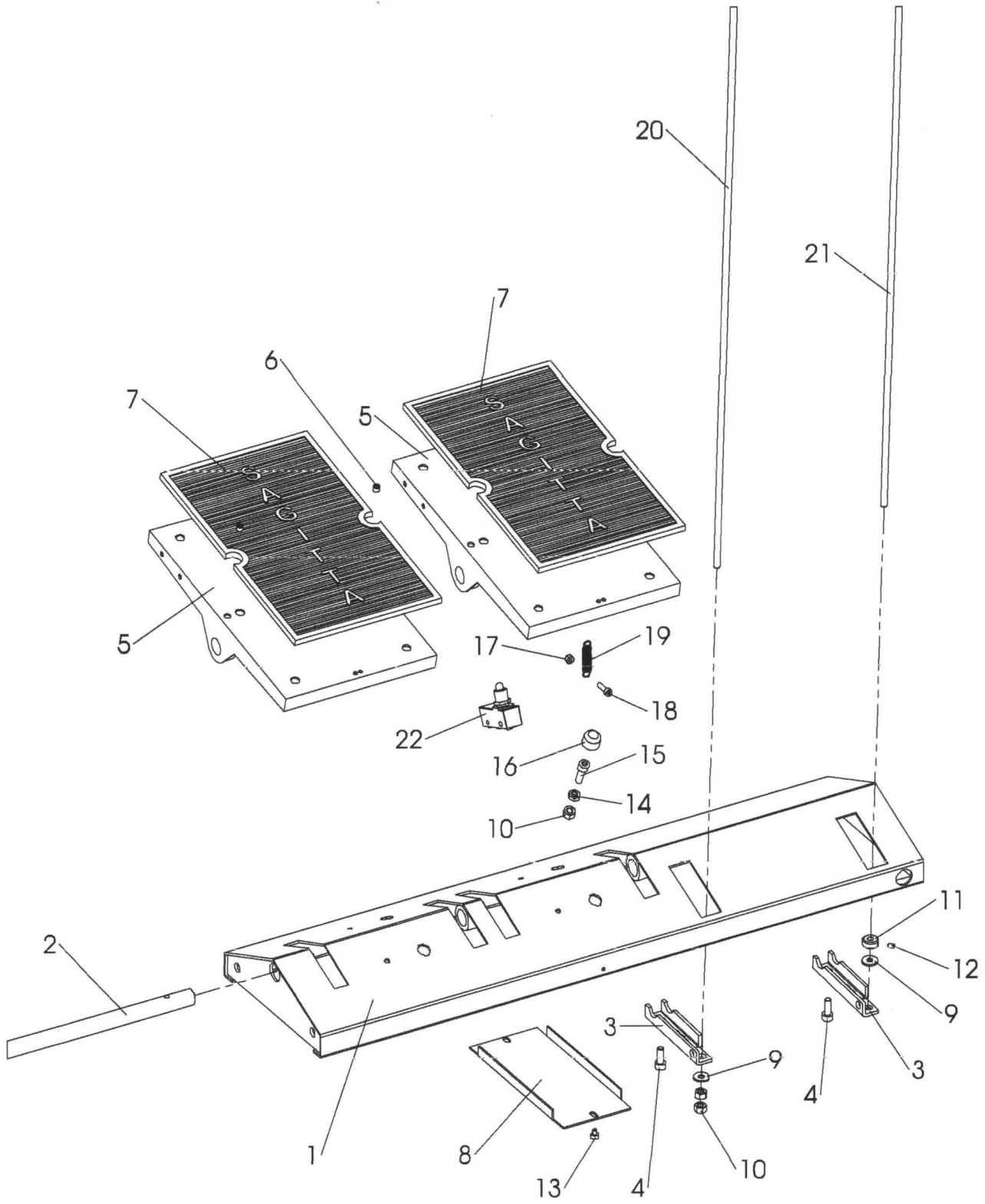
Pos.	Codice	Q.tà	Note
1	6.0054.02	1	
2	6.0056.00	1	
3	6.0057.10	2	
4	6.6200.63	2	Bc615
5	6.0055.11	2	
6	6.6100.38	2	Gp66
7	6.4958.00	2	
8	6.0060.00	1	
9	5.4014.00	2	
10	6.5050.04	3	D6
11	5.4019.00	1	
12	6.6100.12	1	Gp46
13	6.6200.20	2	Bc46
14	6.5050.63	1	M6
15	6.6200.65	1	Bc620
16	6.3516.00	1	
17	6.5050.02	1	D4
18	6.6200.25	1	Bc416
19	6.3776.00	1	
20	5.4013.10	1	
21	5.4018.00	1	
22	6.1589.00	1	



Rp 67TEμP

Foglio 21A

Tav. 86807



Foglio 22

Tav. 84962

Rp 67TEμP



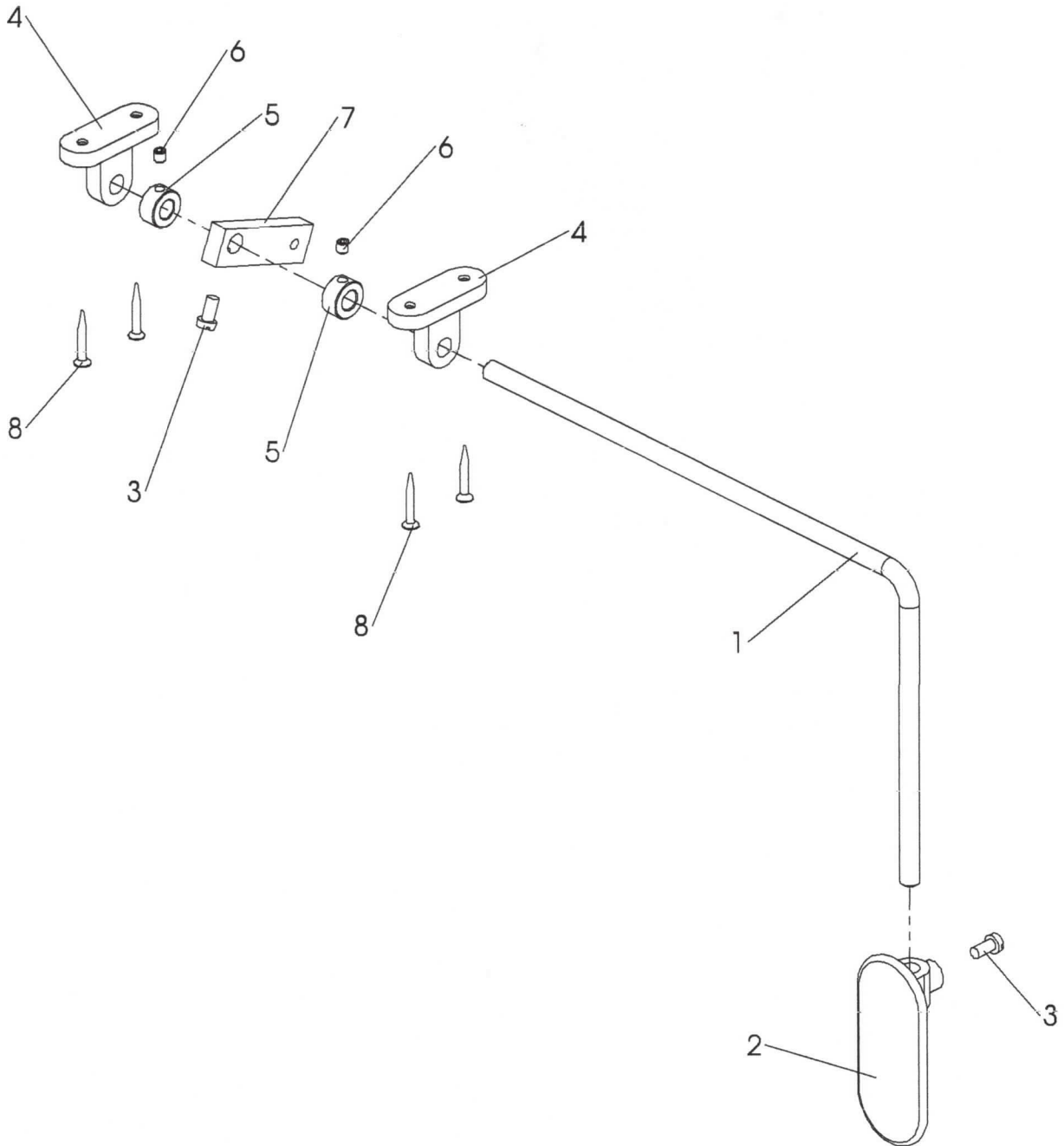
Pos.	Codice	Q.tà	Note
1	5.2386.00	1	
2	5.4773.10	1	
3	6.6241.74	2	Tc612
4	6.4244.00	2	
5	5.2353.00	2	
6	6.6100.38	2	Gp66
7	5.2385.00	1	
8	6.6253.30	4	



Rp 67TEμP

Foglio 23

Tav. 84963



F. 24

RP 67 TEUP



Tav. 84964

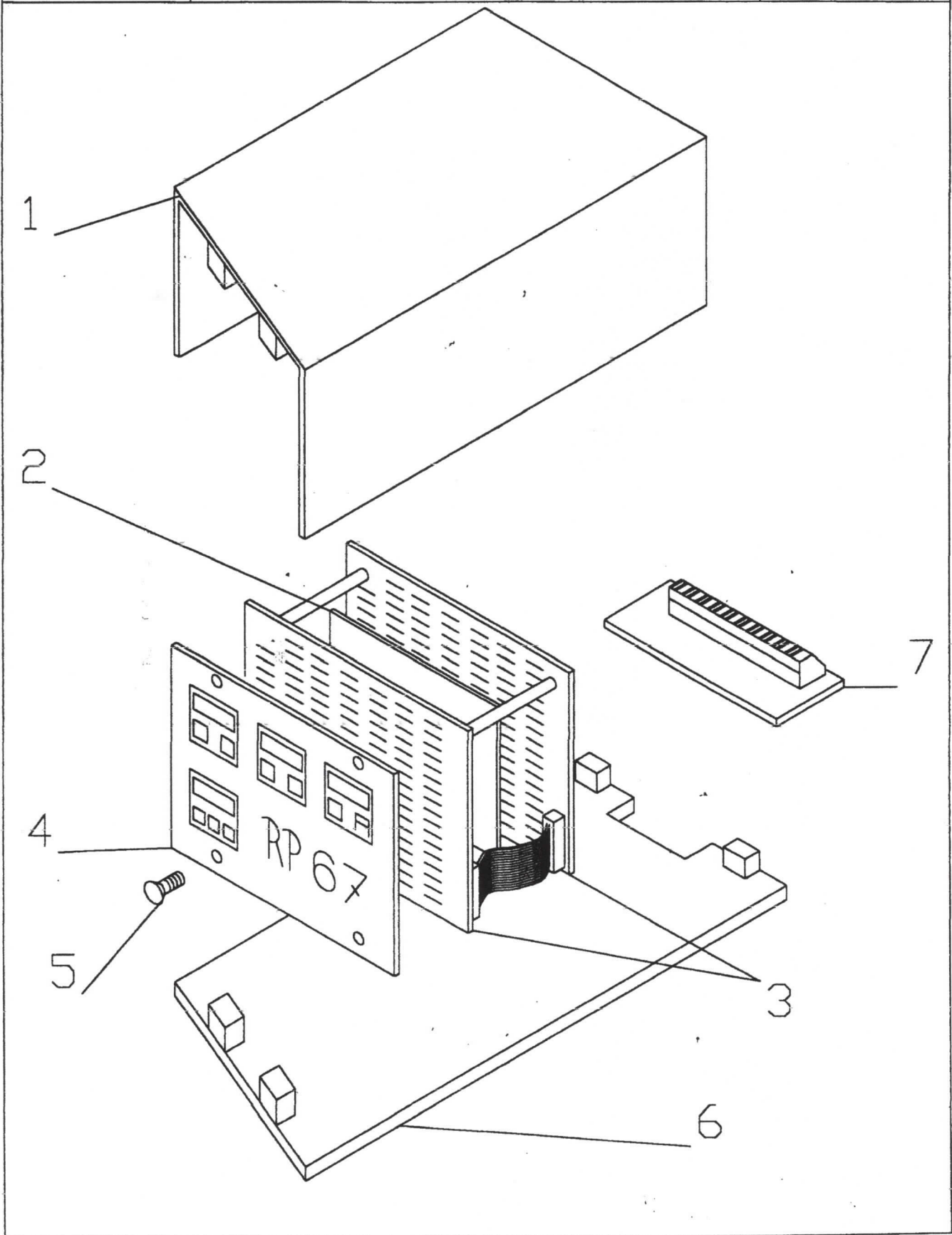
POS.	CODICE	NOTE	POS.	CODICE	NOTE
1	9.0350.00				
2	6.2126.69				
3	6.2126.75				
4	6.4999.84				
5	6.6260.36	BB48			
6	9.0351.00				
7	6.2126.81				
8	5.4773.00				



RP 67 TEuP

F. 25

Tav. 84965



F. 26

RF 67 TEUP



Tav. 84966

POS.	CODICE	NOTE
1	6.6205.41	BS520
2	6.5050.03	D5
3	5.9450.00	
4	6.6160.03	RB5
5	6.5050.03	D5
6	6.2136.01	
7	6.2093.10	
8		
9	6.2093.16	
10	6.2136.01	
11	6.2125.26	
12	6.2056.51	
13	6.1725.00	
14	6.1768.01	
15	6.6200.65	BC620
16	6.6198.71	RB6
17	6.2129.24	

POS. CODICE NOTE



RP 67 TEuP

F. 27

Tav. 84967

